

LX 14/50 TRIPLEX

DESIGNED FOR TOP PERFORMANCE



The LX II edition is a strong and reliable partner which bridges the gap between low-duty and heavy duty material handling daily operations. Due to its durability, low maintenance LX is suitable for environments as logistic centers, terminals, production and manufacturing areas. Also the new tiller arm equipped with fork lifting and lowering proportional control improves user-friendliness and maneuverability of the truck.

ZAPI CONTROLLER

AC technology guarantees more energy efficiency and longer battery charging duration, thus reducing maintenance cost. Furthermore the absence of brushes in the motor and the simpler motor structure increase system reliability.

TILLER EVOLUTION

Fully integrated ergonomic technopolymer tiller system including finger tip throttle and proportional fork controls, safety pushbutton, horn, turtle button, hourmeter, battery status indicator as standard equipment.

TURTLE MODE SWITCH

Offered as standard, this function enables operating the truck in confined spaces: it allows the unit to travel with the tiller in upright position.

This function is activated by pressing the turtle button on the tiller and rotating the drive control throttle. The truck travels at limited speed.

Release the button to disable this function.

MANEUVERABILITY

The overall width has the same size than the EuroPallet (800mm) allow the unit to work in narrow spaces and corridors, increase maneuverability and reducing the turning radius.



VISIBILITY

The wide mast and central driving position allow to have a great operator visibility



BATTERY COMPARTMENT

The separate battery compartment allow the installation of high capacity battery (225Ah - 300Ah). The battery inspection is easy and comfortable trough the battery cover with hinges. As option automatic battery refilling system can be supplied as the external high frequency battery charger that can be easilly plugged trough Anderson connector.



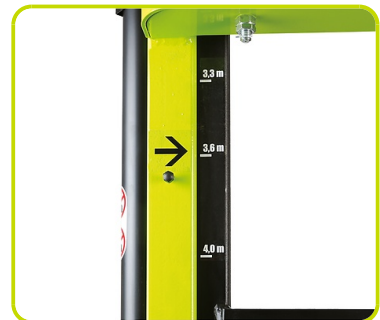
EASY MANTENANCE

Removing the strong cover allow to have the access to electric and hydraulic system as to the motorwheel and stabilizing wheels.



OPERATOR PLATFORM

The LX stacker can be equipped with cushioned stand-on foldable platform very useful for covering medium-sized distances and for intensive application.



Description

1.1 Fabricante			PR INDUSTRIAL
1.3 Grupo tracción			ELECTRIC
1.4 Conducción			Acompañante
1.5 Capacidad carga	Q	Kg	1400
1.6 Centro gravedad	c	mm	600
1.8 Distancia de la carga	x	mm	797
1.9 Distancia entre ejes	y	mm	1436

Weights

2.1 Peso con batería		Kg	1229
2.1 Peso con la plataforma - batería incluida		Kg	1269
2.2 Carga sobre ejes con carga, atras		Kg	1713
2.2 Carga sobre ejes con carga, delante		Kg	916
2.3 Carga sobre ejes sin carga, delante		Kg	827
2.3 Carga sobre ejes sin carga, atras		Kg	402

Tyres/Chassis

3.1 Tyres: front wheels			GOMA
3.1 Tyres: stabilizers wheels - front			POLY.C.
3.1 Ruedas traseras			POLY.C.
3.2 Dimensiones ruedas delanteras - Ancha		mm	101
3.2 Dimensiones ruedas delanteras - Diametro		mm	250
3.3 Dimensiones ruedas traseras - Diametro		mm	82
3.3 Dimensiones ruedas traseras - Ancha		mm	70
3.4 Dimensiones Ruedas Laterales (Ø)		mm	100
3.4 Dimensiones Ruedas Laterales (ancho)		mm	38
3.5 Dimensiones ruedas traseras - Q.ty (X=motriz)		nr	4
3.5 Dimensiones ruedas delanteras - Q.ty (X=motriz)		nr	1x
3.6 Vía delantera	b10	mm	586
3.7 Vía trasera	b11	mm	390

Dimensions

4.2 Height, mast lowered	h1 mm	2285
4.4 Elevación	h3 mm	5025
4.5 Height, mast extended	h4 mm	5635
4.9 Altura del timón max	h14 mm	1390
4.9 Height of tiller in drive position min	h14 mm	990
4.15 Altura horquillas bajadas	h13 mm	90
4.19 Longitud total	l1 mm	1966
4.19 Overall length with lowered platform (Optional LX-FX series)	l1 mm	2550
4.19 Overall length with raised platform	l1 mm	2090
4.20 Longitud de timón a horquillas	l2 mm	816
4.20 Length to face of forks with lowered platform	l2 mm	1400
4.20 Length to face of forks with raised platform	l2 mm	940
4.21 Ancho total	b1 mm	800
4.22 Dimensiones horquillas	s mm	70
4.22 Dimensiones horquillas	e mm	170
4.22 Dimensiones horquillas	l mm	1150
4.24 Fork carriage width	b3 mm	644
4.25 Ancho horquillas	b5 mm	560
4.32 Altura libre inferior, con carga, al centro entre ejes	m2 mm	20
4.34 Pasillo de trabajo para palet 800x1200 longit.	Ast mm	2380
4.34 Aisle width with lowered platform	Ast mm	2964
4.34 Aisle width with raised platform	Ast mm	2510
4.35 Radio de giro	Wa mm	1613
4.35 Turning radius with lowered platform	Wa mm	2196
4.35 Turning radius with raised platform	Wa mm	1742

Performances

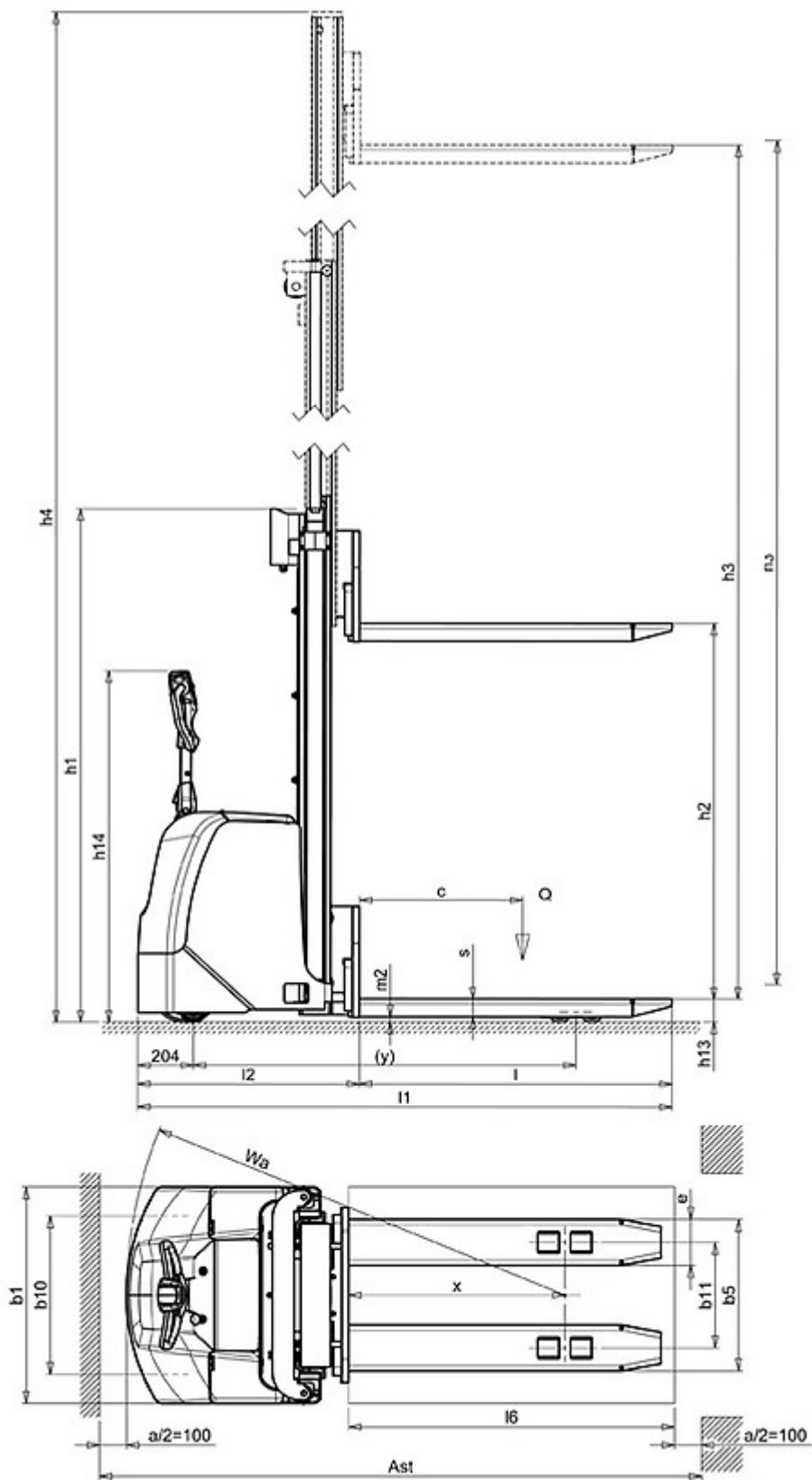
5.1 Travel speed laden	Km/h	6.0
5.1 Travel speed unladen	Km/h	6.0
5.1 Travel speed laden with platform in lowered position	Km/h	6.0
5.1 Travel speed unladen with platform in lowered position	Km/h	6.0
5.1 Travel speed laden with platform in raised position or with raised forks	Km/h	6.0
5.1 Travel speed unladen with platform in raised position or with raised forks	Km/h	6.0
5.2 Velocidad de elevación con carga	m/s	0.14
5.2 Velocidad de elevación sin carga	m/s	0.28
5.3 Lowering speed laden	m/s	0.34
5.3 Lowering speed unladen	m/s	0.40
5.8 Max gradeability laden	%	5
5.8 Max gradeability unladen	%	10
5.10 Freno De Servicio		REVERSE CURRENT BRAKING

Electric motors

6.1 Drive motor power	kW	1.2
6.2 Lift motor power	kW	3.2
Tipo de batería	Type	Traction (C5)
6.4 Battery voltage	V	24
6.4 Battery capacity, Min	Ah	225
6.4 Battery capacity, Max	Ah	300
6.5 Battery weight, Min	Kg	270
6.5 Battery weight, Max	Kg	270
6.6 Energy consumption according to VDI cycle	kWh/h	1.17
8.4 Sound level at driver's ear	dB(A)	67

Capacidad residual

Altura de elevación (H3) 3300 mm	Kg	1400
Altura de elevación (H3) 3600 mm	Kg	1200
Altura de elevación (H3) 4000 mm	Kg	1000
Altura de elevación (H3) 5000 mm	Kg	800



The information is aligned with the Data file at the time of download. Printed on 07/06/2019 (ID 2995)

©2019 | PR INDUSTRIAL s.r.l. | All rights reserved | Image shown may not reflect actual package. Specifications subject to change without notice

